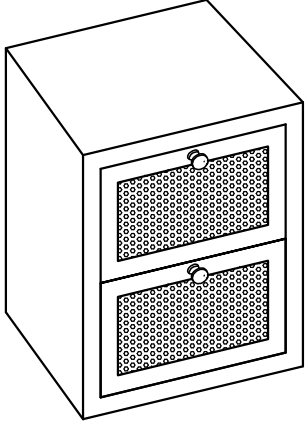
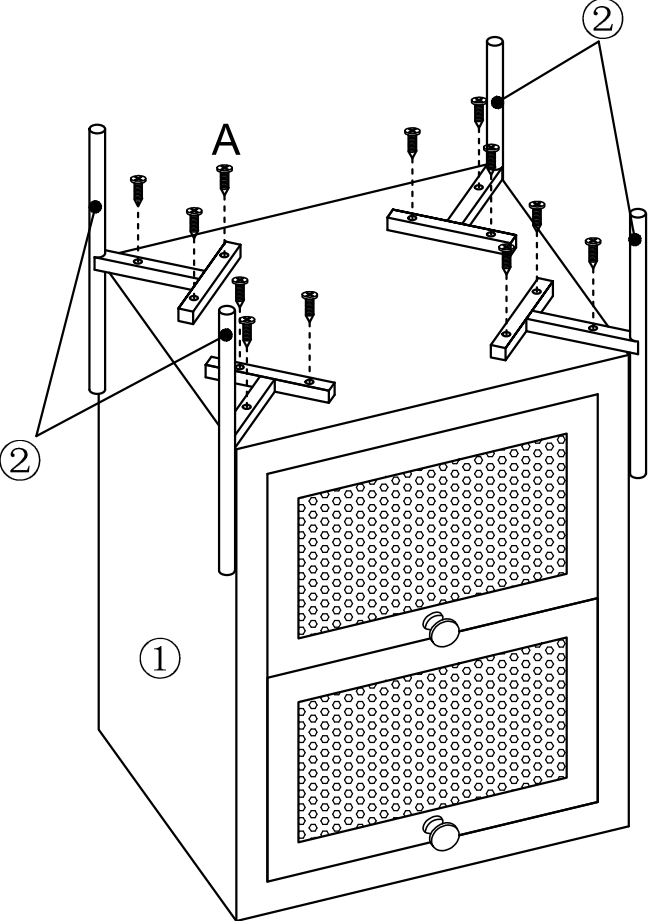
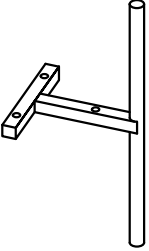
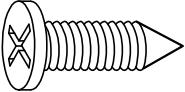


# ASSEMBLY INSTRUCTION

ITEM:Black/Rattan-NS

NO	PART LIST	QTY	STEP 1	STEP 2	Assembly Complete.
①	 <p>TWO DRAWERS CABINET</p>	1PC	<p>Begin assembly by attaching metal legs (2) to the bottom side of Cabinet(1) and screwing 3pcs flat head screws (A) per leg using screw driver.</p> 		
②	 <p>METAL LEGS</p>	4PCS			
NO	HARDWARE LIST	QTY			
A	 <p>FLAT HEAD SCREWS Ø3.5*25mm</p>	12PCS			